



GENERAL DESCRIPTION:

Exposed, sensor-operated Selectronic® Toilet Flush Valve for floor-mounted or wall-hung 1-1/2" top spud flushometer bowls. CR-P2 lithium battery powered.

PRODUCT FEATURES:

- **Factory-Installed CR-P2 Lithium Battery**
- **Selectronic® Proximity System** with universal sensor provides hygienic, "hands free" operation
- **State-of-the-Art Electronics** prevent ghost flushing
- **Dezincification Resistant** semi-red brass alloy
- **Fully Mechanical Manual Override Button** can flush the valve without power
- **Fail-Safe:** Valve automatically closes upon loss of power or water pressure and does not need to be reset
- **Adjustable Sanitary Flush** cleans the fixture & maintains the trap seal.
- **Stadium Feature:** Valve automatically switches to water savings mode during periods of heavy usage
- **Chemical Resistant EPDM Seals** for extended life
- **High Back Pressure Vacuum Breaker**
- **Adjustable Tailpiece**
- **Range can be adjusted manually or with optional remote control**
- **No external volume adjustment.**
- **Can be installed left or right handed**

MODEL NUMBER:



6065111.002 Exposed, sensor-operated flush valve for 1-1/2" top spud flushometer bowls, 1.1 gpf / 4.2 Lpf.



6065121.002 Exposed, sensor-operated flush valve for 1-1/2" top spud flushometer bowls, 1.28 gpf / 6.0 Lpf.

6065161.002 Exposed, sensor-operated flush valve for 1-1/2" top spud flushometer bowls, 1.6 gpf.

Inlet includes 1" sweat solder kit and angle stop with back flow protection and vandal-resistant cap.

Outlet includes 1-1/2" high back pressure vacuum breaker with spud coupling and flange.

OPERATING PRESSURE:

25 psi (flowing) - 80 psi (static)

FLOW REQUIREMENT:

25 gpm (94.6 L/min.)

BATTERY LIFE:

192,000 cycles (4 years at 4,000 flushes per month)

OPTIONAL ACCESSORIES:

- Split ring pipe supports: 2-1/2" C-E (6065.822) & 6" C-E (6065.862)



RECOMMENDED SPECIFICATION:

Electronic, sensor activated toilet flush valve shall feature self-cleaning piston valve with integral wiper spring in refill orifice to prevent clogging. Includes a factory-installed CR-P2 lithium battery and fully mechanical manual override that can flush the valve without power. Includes semi-red brass valve body and metal cover with chrome finish. Includes angle stop with back-flow protection & vandal-resistant cap. Sweat solder kit and high back pressure vacuum breaker also included. 1.1 gpf / 1.28 gpf / 1.6 gpf flush valve shall be American Standard Model # 6065____.002.

LISTINGS:

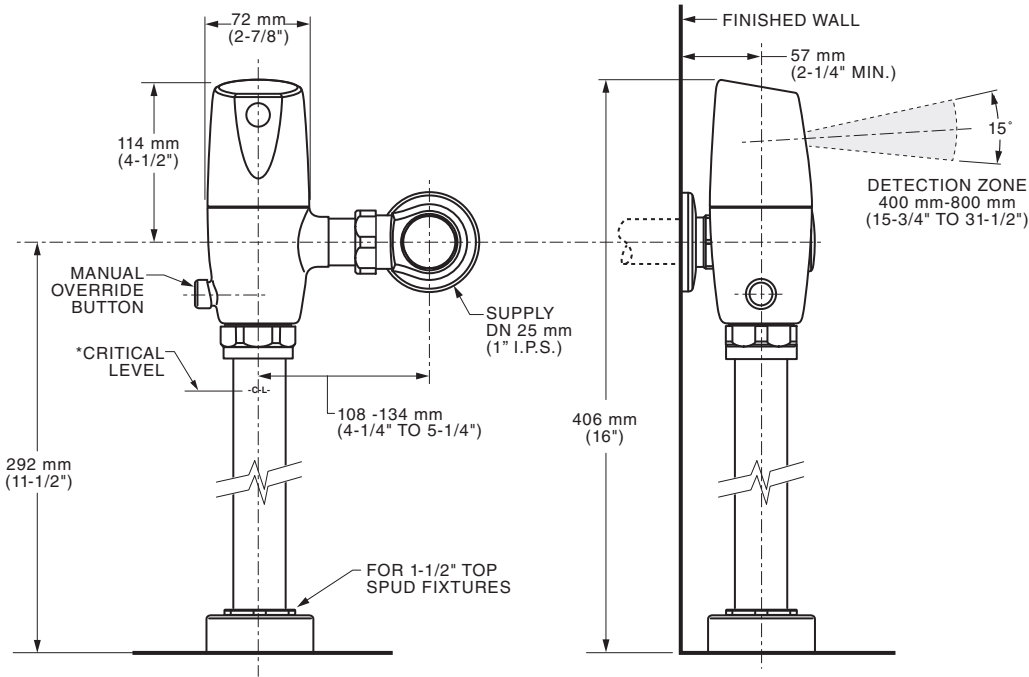
- ASSE 1037
- ANSI/ASME A112.19.2
- ADA Compliant

TMS EQUIPARTS
NORTHEAST

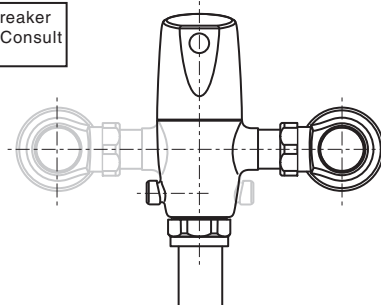
TOLL FREE: 800-442-6622
PITTSBURGH: 412-781-9100
www.equiparts.net

That Hard to Find Part is Right Here!

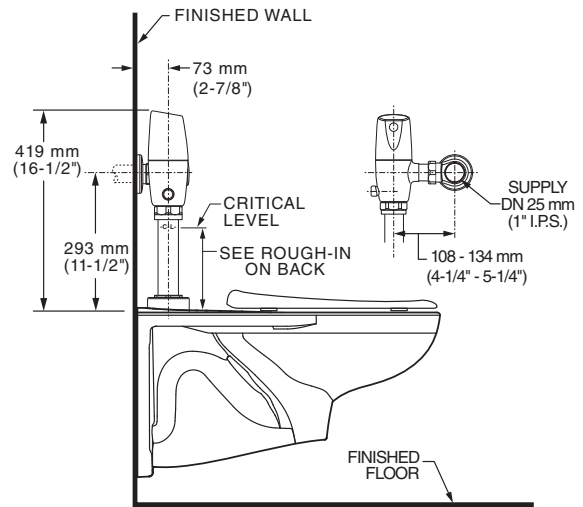
Roughing-in Dimensions



*Note: The Critical Line (-C-L-) on Vacuum Breaker must typically be 6" (152 mm) above fixture. Consult Codes for details.



TYPICAL WATER CLOSET INSTALLATION: AFWALL® TOILET SHOWN



NOTICE:

To ensure proper performance, this 1.1 gpf (4.2 Lpf) Toilet Flush Valve must be installed on a flushometer bowl that is certified (per ASME A112.19.2/CSA B45.1) to operate at 1.1 gpf (4.2 Lpf).

Right or Left Hand Installation

ADA MEETS THE AMERICANS WITH DISABILITIES ACT GUIDELINES AND ANSI A117.1 REQUIREMENTS FOR ACCESSIBLE AND USABLE BUILDING FACILITIES-CHECK LOCAL CODES

PART OF **LIXIL**