

Flushometer Toilet, 1.28GPF when used with High Efficiency Flushometer Valve

FEATURES

- Floor-mounted
- Elongated front bowl
- Optional CeFiONtect™ ceramic glaze - prevents debris, mold and bacteria from sticking to ceramic surfaces, leading to fewer chemicals and less water in cleaning.
- Clear glazed trapway coating
- 10"-12" rough-in

MODELS

- CT705ENG
Commercial floor-mounted toilet with CeFiONtect ceramic glaze
- CT705EN
Commercial floor-mounted toilet

ADDITIONAL ITEMS

- SC534 seat
- SC134 seat

FLUSH VALVES			
EcoPower®		Manual	
*TET1LA32#CP	1.28GPF	TMT1LN32#CP	1.28GPF
TET1GA32#CP	1.6GPF	TMT1NNC-32	1.6GPF
*TET2LA32#SS	1.28GPF		
TET2GA32#SS	1.6GPF		
*TET3LA32#SS	1.28GPF		
TET3GA32#SS	1.6GPF		
*TET6LA32#CP	1.28GPF		
TET6GA32#CP	1.6GPF		

*WaterSense listed

COLORS/FINISHES

- Standard
#01 Cotton



PRODUCT SPECIFICATION

The floor-mounted, low consumption siphon jet flushing toilet shall be 1.28GPF/4.8LPF when paired with a 1.28GPF flushometer valve and 1.6GPF/6.0LPF when paired with 1.6GPF/6.0LPF flushometer valve. Toilet shall be elongated front bowl and CeFiONtect ceramic glaze (CT705ENG). Toilet shall be TOTO Model CT705E_____.

CODES/STANDARDS

- Meets and exceeds ASME A112.19.2/CSA B45.1, ASME A112.19.14
- Certifications: IAPMO (cUPC), State of Massachusetts, City of Los Angeles, and others
- Code compliance: UPC, IPC, NSPC, NPC Canada, and others
- Legislative compliance: California AB715, California Green Building Code, City of Los Angeles Water Efficiency Ordinance



To complete a WaterSense listed combination, the bowl must be paired with a flush valve which is EPA WaterSense listed.

CT705EN(G)

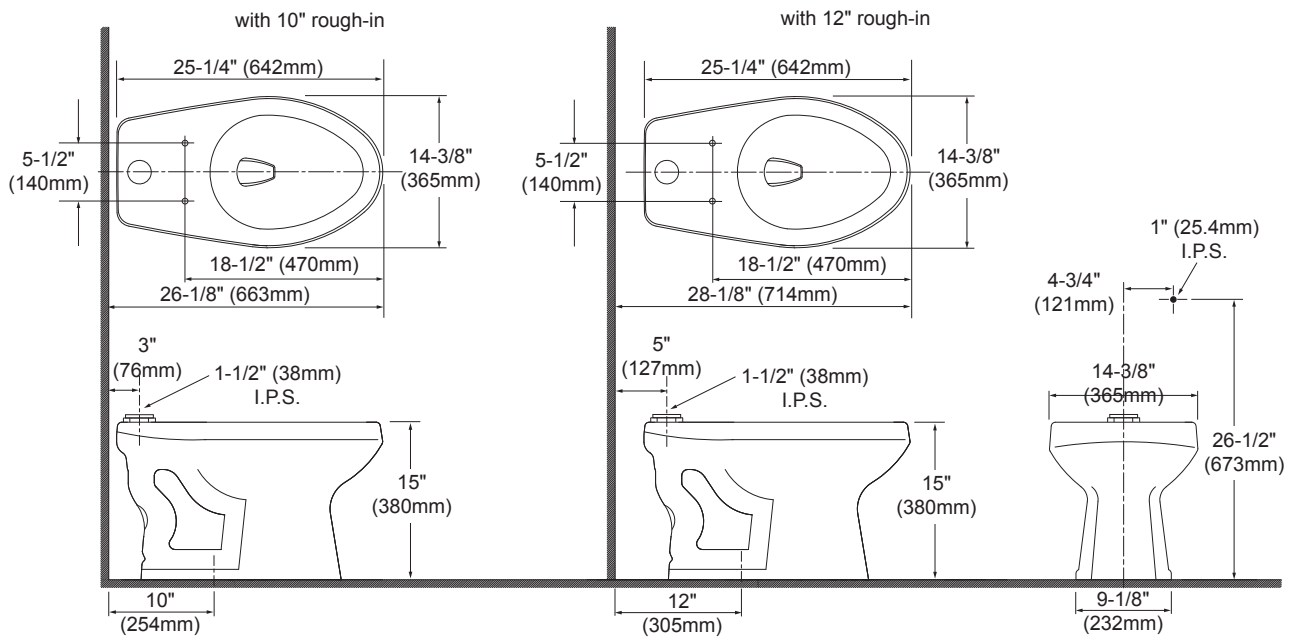
Flushometer Toilet, 1.28GPF when used with High Efficiency Flushometer Valve

SPECIFICATIONS

- Water Use 1.28GPF/4.8LPF (or 1.6GPF/6.0LPF when used with 1.6GPF flush valve)
- Flush System Siphon jet flushing action
- Min. Water Pressure 35 psi (flowing)
- Min. Flow Rate 23 GPM
- Water Surface 10-1/4" x 9-5/8"
- Trap Diameter 1-7/8"
- Rough-in 12", or 10"
- Trap Seal 2-3/8"
- Warranty One Year Limited Warranty
- Material Vitreous china
- Shipping Weight CT705EN(G) - 52.5lbs
- Shipping Dimensions CT705EN(G)
26-1/2" L x 9-1/2" W¹ x 16-1/4" H² x 17" H

INSTALLATION NOTES

- Spuds are unique for TOTO product. For replacement spuds, contact TOTO for part number THU073R



TOTO

These dimensions and specifications are subject to change without notice