

ARCHITECTURAL & ENGINEERING SPECIFICATION

Polished chrome-plated widespread with adjustable centers from 6" [152mm] to 20" [508mm], a 5-3/8" [127mm] centerline rigid or swing gooseneck spout and quarter turn ceramic disc cartridges. Unit is furnished with a 2.2 GPM [8.3LPM] pressure compensating aerator, 4" [102mm] vandal-resistant color-coded metal wrist blade handles, mounting hardware and 1/2" NPSM coupling nuts for standard lavatory risers. Widespread accommodates installations up to 1-1/8" [29mm] thick.

Zurn Lead Free products (-XL) is the line of durable, high quality brass faucets and fixtures that are designed and manufactured to comply with Section 1417 of the Safe Drinking Water Act (SDWA) which mandates the weighted average lead content of no more than 0.25% of the wetted surface.

PRODUCT FEATURES

- Ceramic Disc Cartridge
- Chrome-plated Cast Brass Body
- Widespread Handles Adjustable From 6" to 20" Centers
- 4" Vandal Resistant Color-Coded metal wrist blade handles

COMPLIANCE AND CERTIFICATION:

- Complies with ASME A112.18.1/CSA B125.1
- Lead-Free Compliant
- ADA compliant



This device is WaterSense labeled when used with the appropriate flow rate and certified for residential and private restrooms.



AERATOR OPTIONS

	FLOWRATE GPM [LPM]	VANDAL RESISTANT	PRESSURE COMPENSATION	WATER SENSE LABELED	OUTLET TYPE
-2F	2.2 [8.3]	☑	☑		Aerator
-3F	0.5 [1.9]	☑	☑		Spray
-4F	2.2 [8.3]	☑	☑		Laminar
-7F	1.0 [3.8]		☑	☑	Spray
-16F	1.0 [3.8]	☑	☑	☑	Spray
-17F	1.5 [5.7]	☑	☑	☑	Aerator
-18F	1.5 [5.7]	☑	☑	☑	Laminar
-22F	1.0 [3.8]	☑			Laminar
-25F	0.35 [1.3]	☑	☑		Spray
-28F	0.5 [1.9]	☑			Laminar

SUFFIX OPTIONS

- FC 2.0 GPM [7.6 L] Laminar Flow Control in Base of Spout
- FC Plain End Spout with Flow Control (Specify GPM Flow: 0.5, 1.0, 1.5)
- G 1-1/4" [32mm] Grid Strainer Drain
- HS Hose and Spray
- ICT Interconnecting copper-supply tubes for 8" in-line centers
- P 1-1/4" [32mm] Pop-up Drain
- TW Third waterway

EQUIPARTS
Repair Parts Specialists

TOLL FREE: 800-442-6622
PITTSBURGH: 412-781-9100

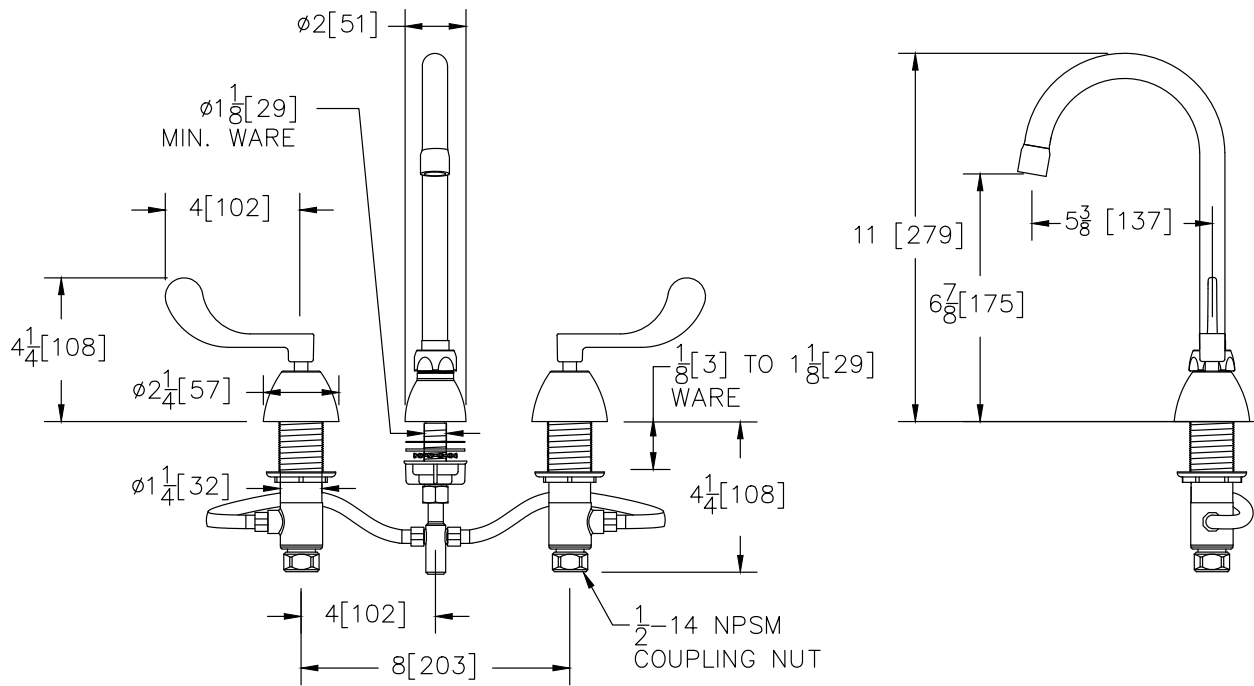
www.equiparts.com

That Hard to Find Part is Right Here!

ARCHITECTURAL & ENGINEERING APPROVAL

The information contained in this document is subject to change without notice. Please contact Zurn for most up to date information.

Rough-in/Overview dimensions



NOTE : All dimensions are for reference only. Do not use for pre-plumbing.

EQUIPARTS
Repair Parts Specialists

TOLL FREE: 800-442-6622
PITTSBURGH: 412-781-9100

www.equiparts.com

That Hard to Find Part is Right Here !