



Z86500-XL

Centerset Metering

TAG _____

Architectural/Engineering Specification:

Polished chrome-plated cast brass faucet body with integral shanks, slow-closing metering cartridges, a 4" long integral cast spout, and vandal-resistant ADA compliant color-coded handles. Easy adjustable cycle time, preset to 10 seconds at 80 PSI. Unit is furnished with a standard water-conserving 1.0 GPM spray outlet, integral shank filters, mounting hardware, and 1/2" coupling nuts for standard lavatory risers. Requires less than 5 pounds force to activate per ANSI A117.1.

Zurn Lead Free products (-XL) is the line of durable, high quality brass faucets and fixtures that are designed and manufactured to comply with Section 1417 of the Safe Drinking Water Act (SDWA) which mandates the weighted average lead content of no more than 0.25% of the wetted surface.

Product Features:

- Polymer Metering Cartridge Sleeve
- Chrome-plated Cast Brass Body
- Color Coded Brass Metering Handle
- Adjustable Cycle Timing

Compliance and Certification:

- Low-Lead Compliant
- ADA Compliant



Aerator Options:

	Flow rate GPM [LpM]	Vandal Resistant	Pressure Compensation	Outlet Type
-3M	0.5[1.9]	✓	✓	Spray
-7M	1.0[3.8]		✓	Spray
-16M	1.0[3.8]	✓	✓	Spray
-22M	1.0[3.8]	✓		Laminar
-25M	0.35[1.3]	✓	✓	Spray
-28M	0.5[1.9]	✓		Laminar

Suffix Options:

- G 1-1/4" [32mm] Grid Strainer Drain
- IN Institutional handle - Tamper Proof and Vandal Resistant
- RKR ADA Compliant Rocker Handle

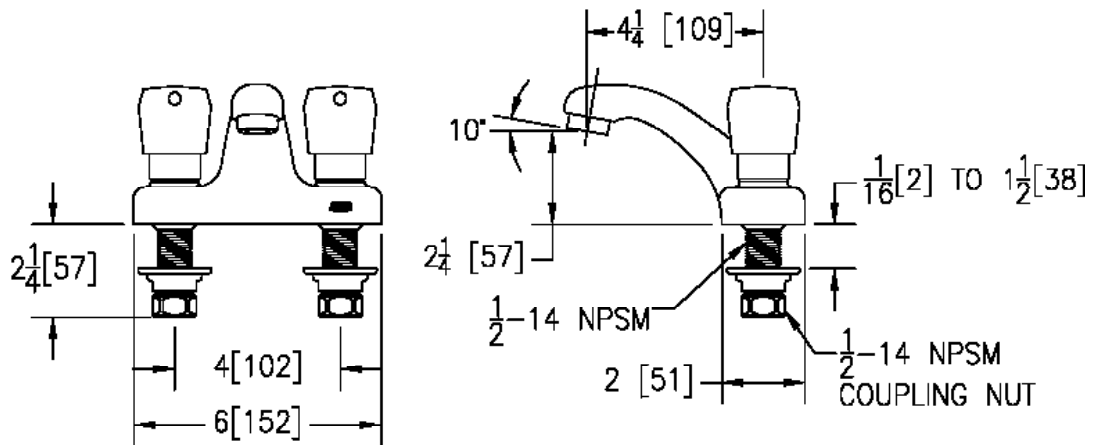
EQUIPARTS
Repair Parts Specialists

TOLL FREE: 800-442-6622
PITTSBURGH: 412-781-9100
www.equiparts.com

That Hard to Find Part is Right Here!

Architectural/Engineering Approval

Rough-in/Overview dimensions



EQUIPARTS
Repair Parts Specialists
TOLL FREE: 800-442-6622
PITTSBURGH: 412-781-9100
www.equiparts.com
That Hard to Find Part is Right Here!