



# Z843M1-XL

## Sink Faucet

TAG \_\_\_\_\_

### Architectural/Engineering Specification:

Polished chrome-plated cast brass 8" sink faucet with quarter turn ceramic disc cartridges, 3/8" short swivel inlets providing adjustable centers from 7-1/4" to 8-3/4", integral service stops and a 6" centerline cast brass spout with chemical resistant atmospheric vacuum breaker, 3/4" hose threaded outlet, pail hook and adjustable wall brace. Unit is furnished with 2-1/2" vandal-resistant color-coded brass lever handles. Vacuum breaker is certified to the uniform plumbing code® , ASSE 1001- 2002 and CSA b64-01. (note: atmospheric vacuum breaker not intended for continuous pressure applications.)

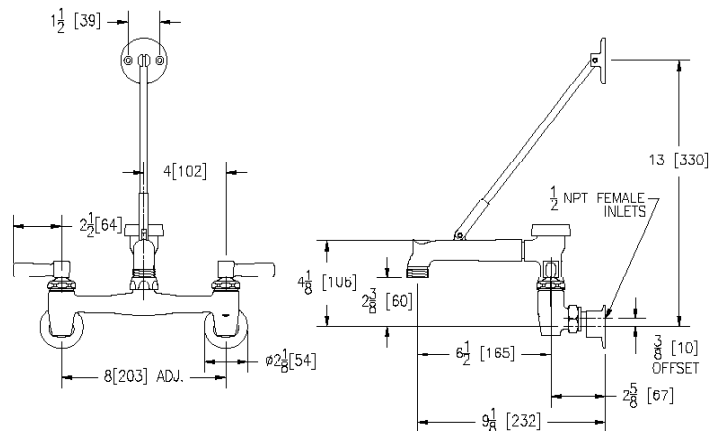
Zurn Lead Free products (-XL) is the line of durable, high quality brass faucets and fixtures that are designed and manufactured to comply with Section 1417 of the Safe Drinking Water Act (SDWA) which mandates the weighted average lead content of no more than 0.25% of the wetted surface.

### Product Features:

- 6" Vacuum Breaker Spout with 3/4" Threaded Outlet, Brace and Pail Hook
- 2-1/2" Vandal Resistant Color Coded Lever Handles
- Ceramic Disc Cartridge
- Low-Lead Compliant
- Chrome-plated Cast Brass Body

### Suffix Options:

- CS Check Stop
- LSI 2-1/2" [64mm] Long Swivel Inlets with Integral Stops
- WHK Wall Hook
- 5H 5' [152cm] Vinyl Hose



Rough-in/Overview dimensions



**TOLL FREE: 800-442-6622**  
**PITTSBURGH: 412-781-9100**  
[www.equiparts.net](http://www.equiparts.net)

*That Hard to Find Part is Right Here !*

### Compliance and Certification:

- Low-Lead Compliant
- ADA Compliant
- ASSE 1001- 2002
- CSA b64-01



XL LEAD FREE

ADA DESIGNED

C

US

**Architectural/Engineering Approval**

The information contained in this document is subject to change without notice.  
 Please contact Zurn for most up to date information.

Meets the American Disabilities Guidelines and ANSI A117.1 requirements when installed according to these requirements.

In Canada - Consult local codes and standards.