



# Z6950-XL-S-IM

Aqua-Fit®, Battery Powered Faucet with Integral Mixer TAG

## Architectural/Engineering Specification:

Zurn Aqua-Fit® faucets are ideal for high-use applications where durability and hands-free operation are necessary. ADA compliant, battery powered, polished chrome-plated cast brass sensor faucet with infrared proximity sensor for retrofit and new construction. Unit is furnished with a standard 0.5 GPM flow control and mounting hardware.

Zurn Lead Free products (-XL) is the line of durable, high quality brass faucets and fixtures that are designed and manufactured to comply with Section 1417 of the Safe Drinking Water Act (SDWA) which mandates the weighted average lead content of no more than 0.25% of the wetted surface.

## Product Features:

- Above Deck Integral Mixer
- Line Purge Mode (adjustable)
- Metering Mode (adjustable)
- 30 second Time Out Feature (adjustable)
- Infrared Convergence-Type Proximity Sensor
- Standard Chrome-plated Cast Brass Body
- In-line filter
- Inlet for 1/2" ball riser

## Suffix Options:

- CP4 Cover Plate 4"[102] Centers
- CP8 Cover Plate 8"[203] Centers
- MV Temperature Mixing Valve
- SH Supply Hoses for Mixing Valve
- TMV-1 Thermostatic Mixing Valve for Single Faucets

## Alternate Finishes:

- BN Brushed Nickel

## Compliance and Certification:

- Low-Lead Compliant
- ADA Compliant
- ASME A112.18.1/CSA B125.1



\*This device is WaterSense labeled when used with the appropriate flow rate and certified for residential and private restrooms.



## Aerator Options:

	Flowrate GPM [LpM]	Vandal Resistant	*WaterSense Labeled	Outlet Type
-E	1.5[5.7]	✓	✓	Aerator
-F	0.5[1.9]	✓		Spray (Standard)
-J	1.5[5.7]	✓	✓	Laminar
-K	1.0[3.8]	✓	✓	Laminar
-L	1.0[3.8]	✓	✓	Aerator
-M	0.35[1.3]	✓		Spray
-N	0.5[1.9]	✓		Laminar

## Power Supply Choices (Sold Separately):

- ACA 6 VDC Plug-In Power Converter
- HW6 Hardwired Power Converter

## Optional Power Supply Accessories:

- CWB Connector Wire for Plug-In Power Converter
- MJ Mini Junction Box

**NOTE: For Hardwire applications furnish P6000-HW6 power converter. Order P6000-HW6 power converter separately. The P6000-HW6 and P6000-MJ will power up to 8 sensor faucets. Hydropower assembly excluded on plug-in or hardwired faucet models.**

**TMS EQUIPARTS**  
NORTHEAST

TOLL FREE: 800-442-6622  
PITTSBURGH: 412-781-9100  
[www.equiparts.net](http://www.equiparts.net)  
That Hard to Find Part is Right Here!

Architectural/Engineering Approval

The information contained in this document is subject to change without notice. Please contact Zurn for most up to date information.



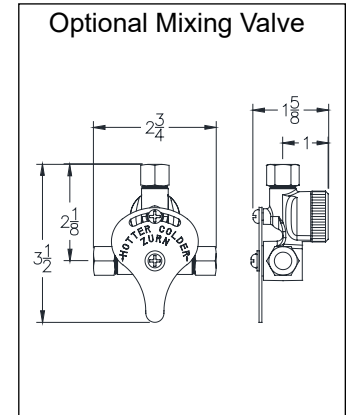
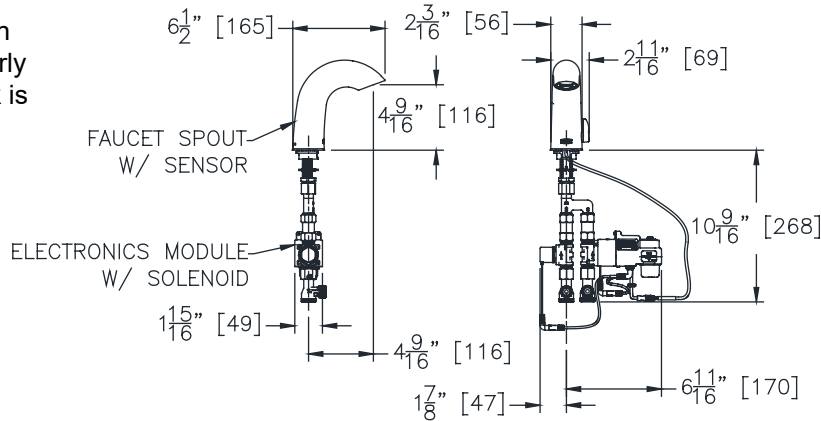


# Z6950-XL-S-IM

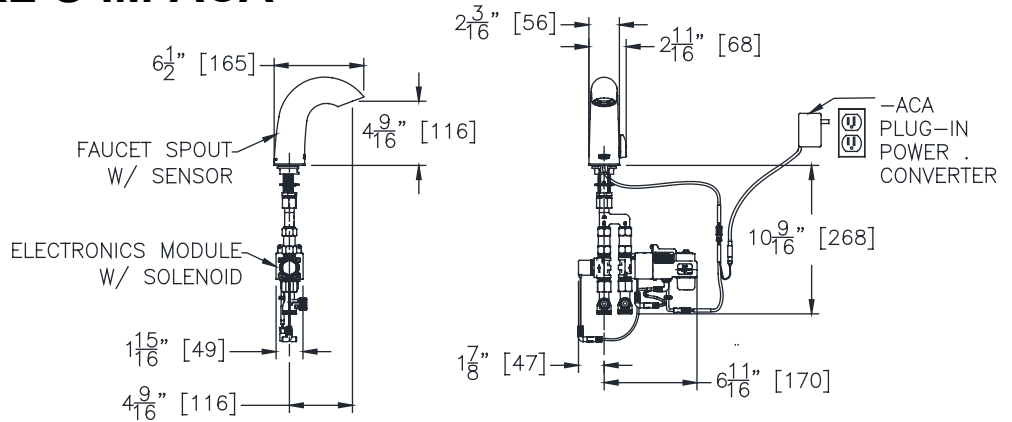
Aqua-Fit®, Battery Powered Faucet with Integral Mixer TAG

## TYPICAL Z6950-XL-S-IM Aqua-Fit® Battery Powered Faucet

Recommended through hole diameter to properly mount the spout/shank is 1-1/8" to 1-1/4".



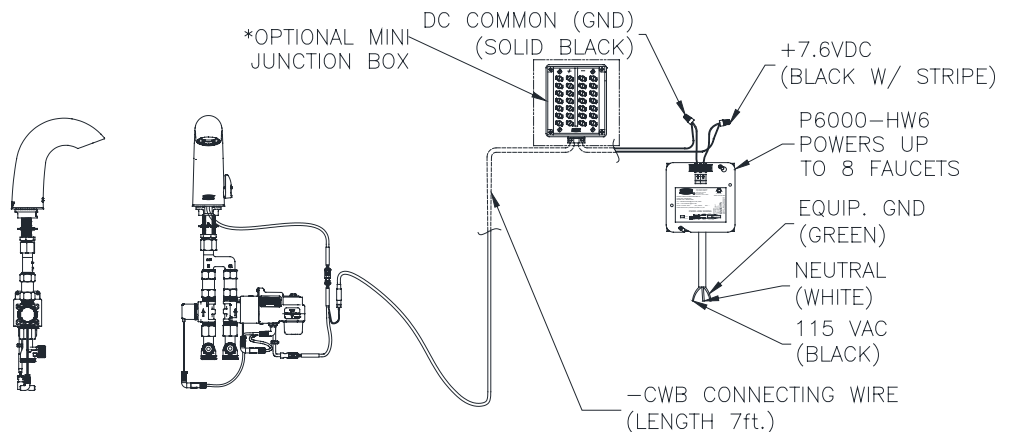
## TYPICAL Z6950-XL-S-IM-ACA Aqua-Fit® Plug-In Powered Faucet



## TYPICAL Z6950-XL-S-IM-CWB Aqua-Fit® Hardwire Powered Faucet

\* Optional: P6000-MJ mini junction box streamlines wiring for connecting up to 8 faucets to the P6000-HW6 power converter.

**NOTE: MUST USE EITHER ZURN P6000-HW6 HARDWIRE POWER CONVERTER OR ZURN P6000-ACA PLUG-IN POWER CONVERTER TO ENSURE PROPER OPERATION. USING A POWER CONVERTER OTHER THAN ZURN MAY RESULT IN OPERATION MALFUNCTION OR UNIT FAILURE.**



**TMS EQUIPARTS**  
NORTHEAST

TOLL FREE: 800-442-6622  
PITTSBURGH: 412-781-9100  
[www.equiparts.net](http://www.equiparts.net)  
That Hard to Find Part is Right Here!

