

Brita® Hydration Station™ with Lifecycle Control

REPLACEMENT FILTER

MODEL **6429**

SPECIFICATIONS

Model 6429 Brita® Hydration Station™ replacement filter cartridge is used on models 2000S and 2000SMS systems which are tested and certified by CSA against NSF/ANSI Standard 42 for the reduction of chlorine (taste and odor) and against NSF/ANSI Standard 53 for the reduction of lead and 99.99% of cysts. It is a carbon block filter cartridge with a service life of 1 year/2,500 gallon (9463 L). Filter contains an onboard chip to store total gallon usage; this chip interfaces with an electronic life cycle control system to allow water flow only until the filter reaches its total gallon capacity.

APPLICATIONS

This filter cartridge is designed specifically for the Brita® Hydration Station™.

PERFORMANCE DATA SHEET

IMPORTANT NOTICE: Read this Performance Data Sheet and compare the capabilities of this unit with your actual water treatment needs. It is recommended that, before purchasing a water treatment unit, you have your water supply tested to determine your actual water treatment needs.



Substance	Influent Challenge Concentration	Reduction Requirement	Maximum Permissible Product Water Concentration	Average Percent Reduction
Chlorine, Taste and Odor	2.0 mg/L ± 10%	≥ 50%	N/A	96.6%
Lead	0.15 mg/L ± 10%	N/A	0.010 mg/L	99%
Cyst	Minimum 50,000/L	99.95%	N/A	99.99%

This system has been tested according to NSF/ANSI 42/53 for the reduction of the substances listed. The concentration of the indicated substances in water entering the system was reduced to a concentration less than or equal to the permissible limit for water leaving the system, as specified in NSF/ANSI 42/53.

Testing was performed under standard laboratory conditions. The contaminants or other substances removed or reduced by this water treatment device are not necessarily in all users' water. Filter performance may vary based on local water conditions.



TOLL FREE: 800-442-6622
PITTSBURGH: 412-781-9100
www.equiparts.net
That Hard to Find Part is Right Here!

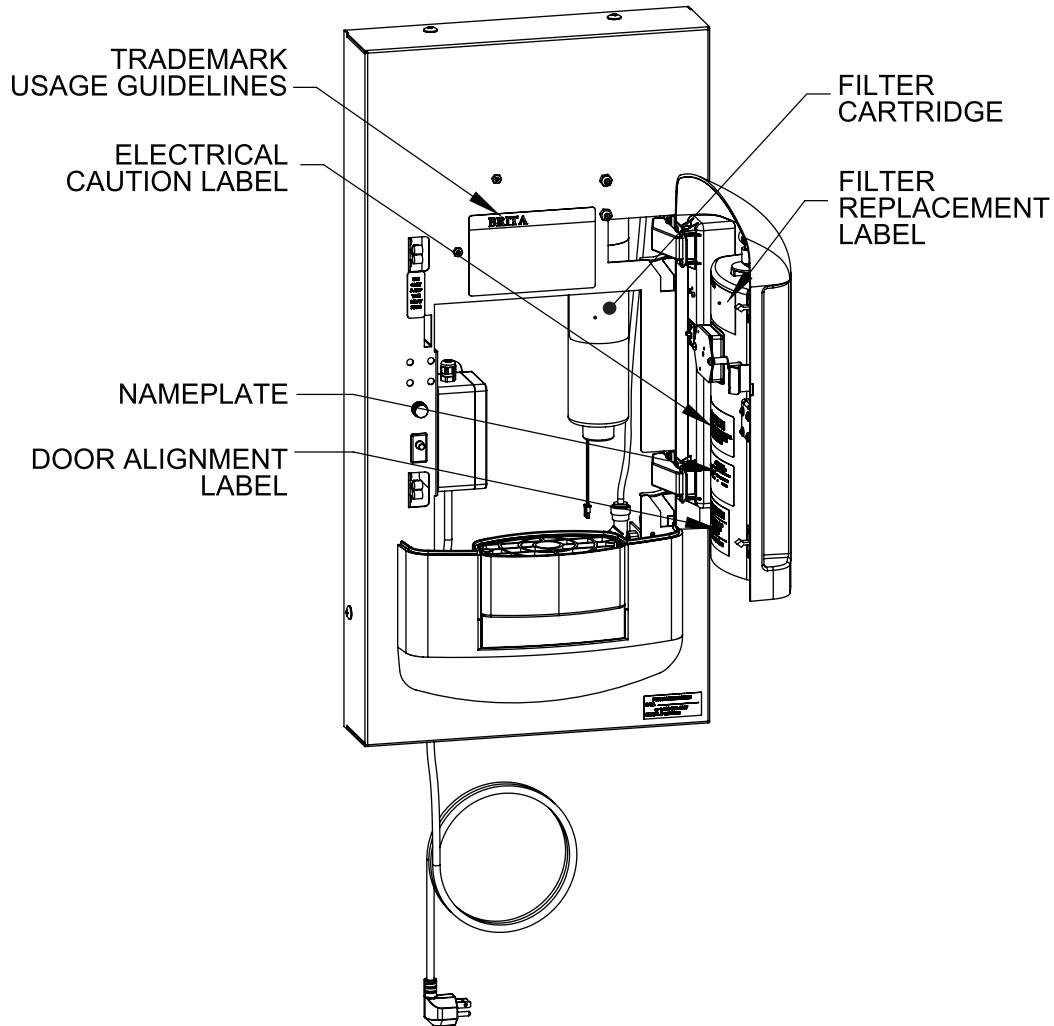
Manufactured by Haws Corporation®

The BRITA trademark and logo are registered trademarks of Brita, LP and are used under license by Haws Corporation®. All rights reserved.

FILTER LOCATION & REPLACEMENT

An instructional label is visible when the hinged panel is opened, noting how to replace the filter (see below).

NOTE: Water does not need to be shut off to replace the filter cartridge; however, it should be shut off if the filter head is going to be left without a cartridge installed for a long period of time.



1. Disconnect old filter cartridge's wiring and unscrew cartridge.
2. Screw new cartridge firmly into filter head; connect cartridge wiring.
3. Filter status LED should flash green both after hinged panel is first closed and when water is dispensing. If it does not, consult the Troubleshooting Guide.
4. Five gallons of water must be run through the system after the cartridge is installed in order to remove the loose carbon particles from the filter cartridge and any air bubbles from the system.
5. Open unit and examine to assure that there are no leaks; close unit.