

Drake® Close Coupled Toilet, 1.6GPF

FEATURES

- G-Max® flushing system
- Optional CeFiONtect™ ceramic glaze - CeFiONtect glaze prevents debris, and mold from sticking to ceramic surfaces, leading to fewer chemicals and less water in cleaning.
- Close coupled commercial grade, high performance toilet
- Elongated front bowl and tank set, less seat
- Chrome trip lever
- 12" Rough-in, supply line sold separately

MODELS

- CST744SG
Elongated bowl, CeFiONtect, 12" rough-in, less seat
- CST744S
Same as above less CeFiONtect
- CST744SB*
Same as CST744S with bolt down lid (special order)
- CST744SD*
Same as CST744S with insulated tank (special order)
- CST744SDB*
Same as CST744S with bolt down lid & insulated tank (special order)
- CST744SR*
Same as CST744S with right hand trip lever (special order)

COMPONENTS

- C744E(G) - Elongated Front Bowl
- ST743S - Tank and Cover only
- ST743SB - Tank and Cover only (bolt down lid)
- ST743SD - Tank and Cover only (insulated tank)
- ST743SDB - Tank and Cover only (bolt down lid and insulated tank)
- ST743SR - Tank and Cover only (right hand trip lever)
- ST743SRB - Tank and Cover only - Bolt down lid with right-hand trip lever
- SS114 SoftClose® seat (sold separately)
- SS204 SoftClose® seat (sold separately)
- SC134 commercial seat (sold separately)
- SC534 commercial seat (sold separately)

COLORS/FINISHES

- Standard
- #01 Cotton
- #03 Bone
- #11 Colonial White
- #12 Sedona Beige
- #51 Ebony



PRODUCT SPECIFICATION

The two-piece G-Max flushing system toilet shall be 1.6GPF/6.0LPF. Toilet shall have high-profile tank, elongated front bowl and chrome trip lever. Toilet model CST744SG shall have CeFiONtect ceramic glaze. Toilet shall be TOTO Model CST744S_____.

CODES/STANDARDS

- Meets and exceeds ASME A112.19.2/CSA B45.1
- Certifications: IAPMO(cUPC), State of Massachusetts, City of Los Angeles, and others
- Code compliance: UPC, IPC, NSPC, NPC Canada, and others



CST744S(G)

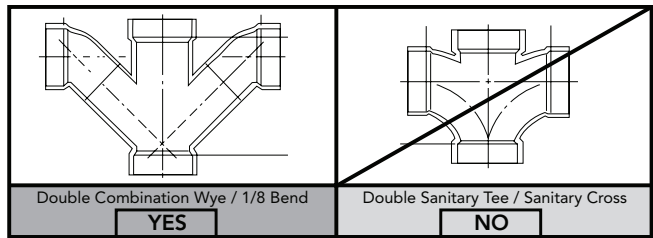
Drake® Close Coupled Toilet, 1.6GPF

SPECIFICATIONS

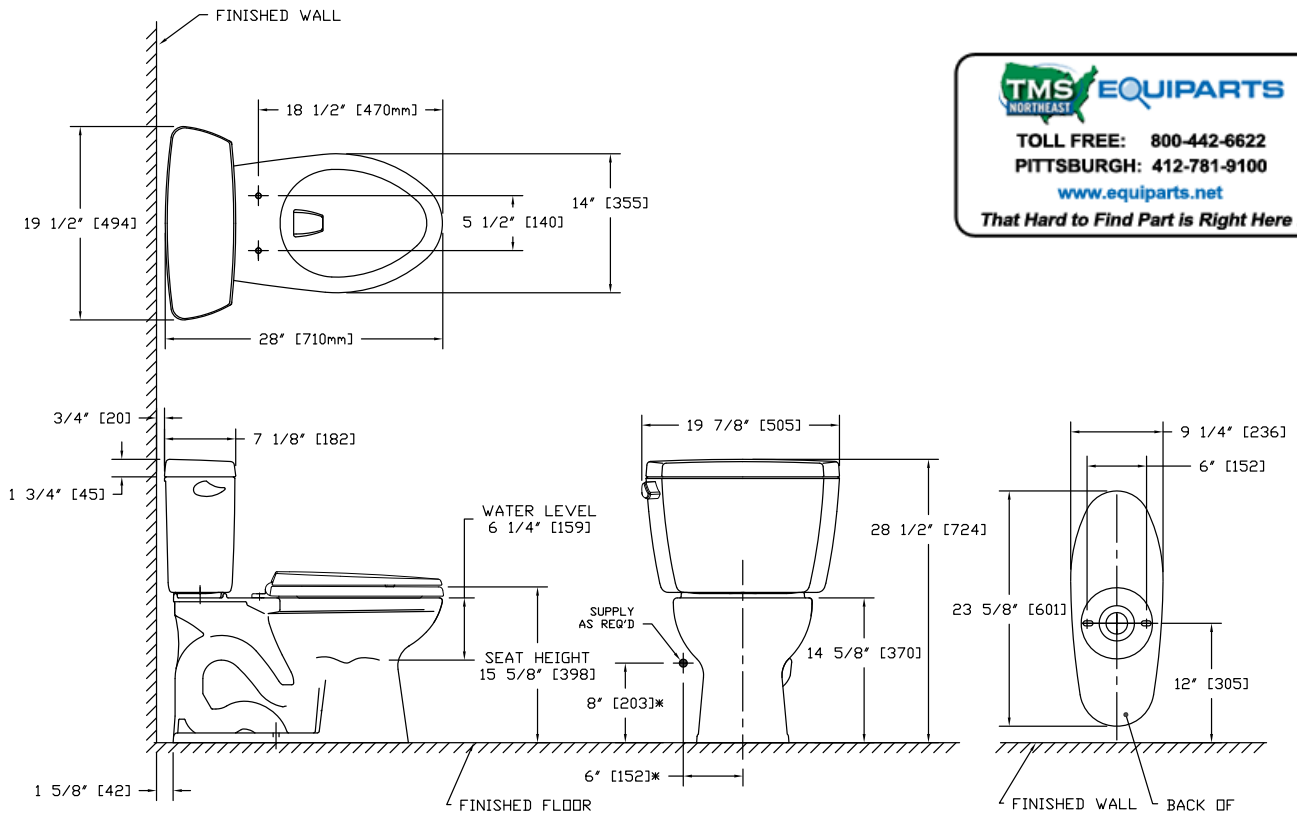
- Water Use 1.6 GPF/6.0LPF
 - Flush System G-Max
 - Min. Water Pressure 8 psi (static)
 - Water Surface 10-1/4" x 8-1/2"
 - Trap Diameter 2-1/8"
 - Rough-in 12"
 - Trap Seal 2-3/8"
 - Warranty One Year Limited Warranty
 - Material Vitreous china
 - Shipping Weight C744E(G) - 52lbs
ST743S - 35lbs
 - Shipping Dimensions C744E(G)
29-1/2"L x 16"W1
x 10-1/4"W2 x 18-1/4"H
- ST743S
20-1/8"L x 8-1/4"W
x 15-1/2"H

INSTALLATION NOTES

Back-to-Back Toilet Installations:
TOTO recommends the use of a nationally listed, double sanitary tee-wye only, in vertical waste stacks, in accordance with the stipulations noted in the majority of nationally recognized plumbing codes.



To maintain adequate wall gap between the back of the tank and wall, mount the floor flange at a nominal 12" rough-in distance.



CST744S

*SUGGESTED DIMENSIONS

TMS EQUIPARTS
NORTHEAST

TOLL FREE: 800-442-6622
PITTSBURGH: 412-781-9100
www.equiparts.net
That Hard to Find Part is Right Here!