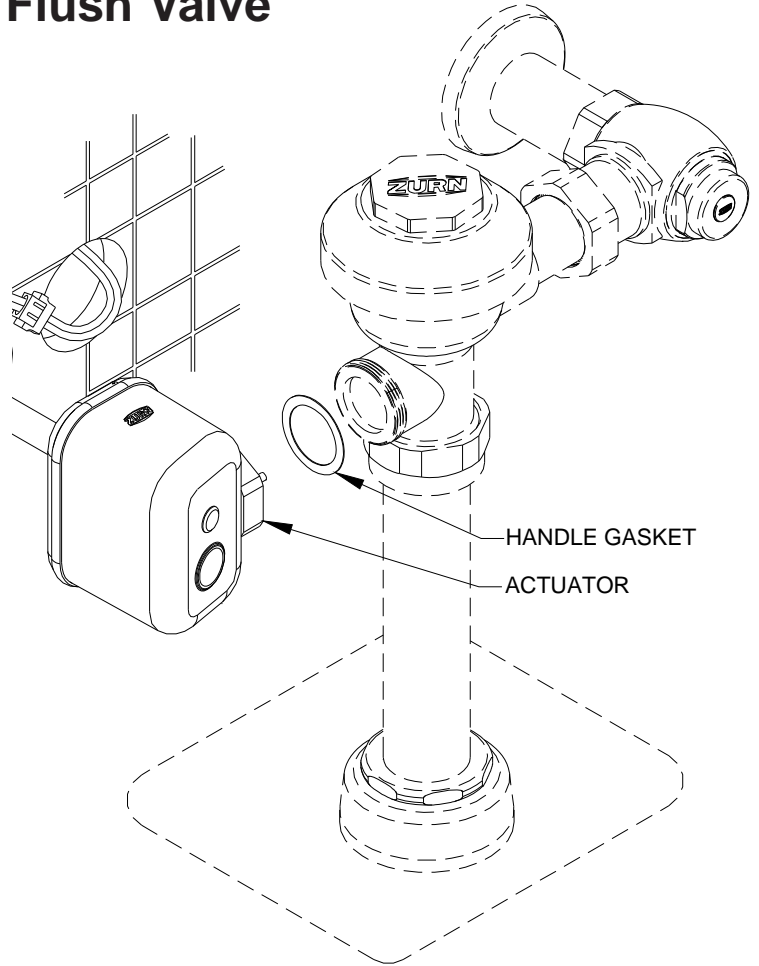




PEMS6000-HYM-IS

Hardwired Automatic Sensor Actuator for For Flush Valve



HANDLE GASKET
ACTUATOR

Accessories (Order separate as specified)

- P6000-PC6** Plug-in Power Converter
(Up to 8 valves)
- P6000-MJ** Mini Junction Box
- P6000-HW6** Hardwire Power Converter
(Up to 8 valves)

ENGINEERING SPECIFICATION: ZURN PEMS6000-HYM-IS AquaSense 'AV' Exposed Hardwired Automatic Sensor for Flush Valves- The unit incorporates a motorized actuator, an integral infrared convergence-type proximity sensor and a manual push-button override into an all-metal, polished chrome plated housing. Sensor range automatically adjusts to its environment at power up and is powered by a 7.6 VDC power converter. Order power converter separate. Each power converter can accomodate up to eight flush valves.

This space is for Architectural/engineering Approval

The information contained in this document is subject to change without notice. Please contact Zurn for most up to date information.

ZURN INDUSTRIES, LLC. ♦ COMMERCIAL BRASS OPERATION ♦ 5900 ELWIN BUCHAN, Phone: 1-800-997-3876 ♦ Fax: 919-775-3541 ♦ World Wide Web: w

In Canada: ZURN INDUSTRIES LIMITED ♦ 3544 Nashua Drive ♦ Mississauga, Ontario L4V1L2

TOLL FREE: 800-442-6622
PITTSBURGH: 412-781-9100
www.equiparts.net
That Hard to Find Part is Right Here !