



Model
SS-3003 Series
 Standard Wall Hung Lavatory with Backsplash

DESCRIPTION

Complete vitreous china lavatory with backsplash

- Model SS-3103-Single Hole
Code: 3873103
- Model SS-3003-4" (102 mm) Centers
Code: 3873003
- Model SS-3803-8" (203 mm) Centers
Code: 3873803

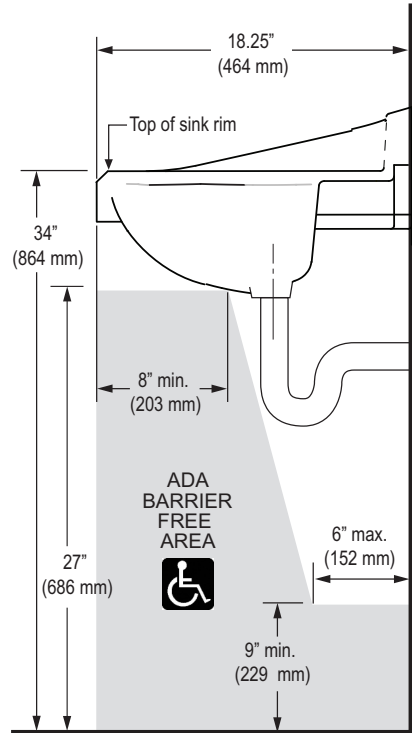


Model SS-3003 Shown

SPECIFICATIONS

Lavatory

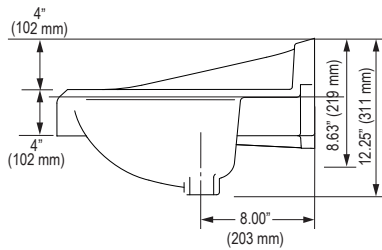
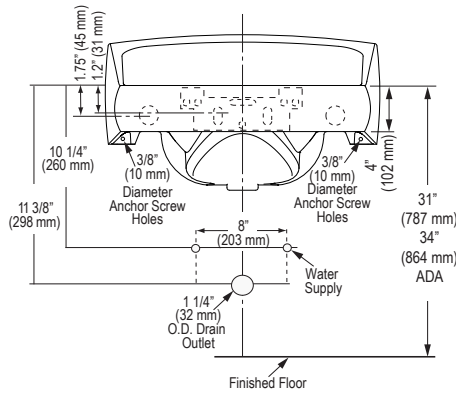
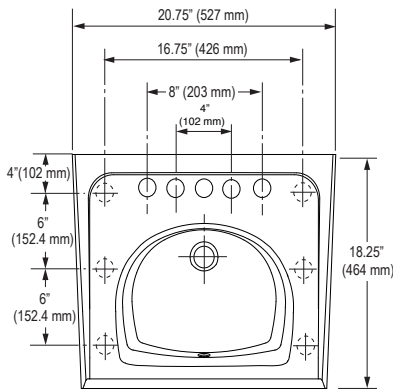
- White vitreous china
- Wall mount
- Hanging hardware
- Backsplash
- Single hole, 4" (102 mm) and 8" (203 mm) centers
- Front overflow
- ADA compliant when mounted with deck at 34" from finished floor. See illustration for recommended ADA installation
- 20.75" (527 mm) x 18.25" (464 mm)
- Compliant to the applicable sections of ASME A112.19.2/CSA B45.1
- Carrier not included



Product Specification

Sink shall be made of vitreous china. Sink shall be wall mounted. Sink shall have an overflow. Sink shall be a 4" centerset. Sink shall be Sloan Model SS-3_03.

NOTE: All vitreous china dimensions shown in these drawings are nominal. Dimensions can vary within the tolerances established in the governing ASME A112.19.2/CSA B45.1 standard. Please take this into consideration when planning rough-in and plumbing layouts.



This space for Architect/Engineer approval

Job Name	Date
Model Specified	Quantity
Variations Specified	
Customer/Wholesaler	
Contractor	
Architect	

The information contained in this document is subject to change without notice.



TMS EQUIPARTS
 NORTHWEST
 TOLL FREE: 800-442-6622
 PITTSBURGH: 412-781-9100
www.equiparts.net
That Hard to Find Part is Right Here!

Copyright © 2013 Sloan Valve Company
 SS-3003 09-13

Manual Faucets

Product Type

Deck Mounted 4" Fixed Centers Hot and Cold Water
Metering Sink Faucet

Features & Specifications

- 4" Fixed Centers
- 2.2 GPM (8.3 L/min) Vandal Proof Aerator
- 1-3/4" Vandal Proof MVP Metering Push Handle
- MVP Metering Adjustable Cycle Time Closure Cartridge
- 1/2" NPSM Supply Inlets and Coupling Nut for 3/8" or 1/2" Flexible Riser
- 4" Center to Center Integral Cast Brass Spout
- ECAST® design provides durable construction with total lead content equal to or less than 0.25% by weighted average
- CFNow! Item Ships in 3 Days

Performance Specification

- Rated Operating Pressure: 20-125 PSI
- Rated Operating Temperature: 40-140°F

Warranty

- Lifetime Limited Faucet Warranty
- 5-Year Limited Cartridge Warranty
- 1-Year Limited Finish Warranty

Codes & Standards

- ASME A112.18.1/CSA B125.1
- Certified to NSF/ANSI 61, Section 9 by CSA
- California Health and Safety Code 116875 (AB1953-2006)
- Vermont Bill S.152
- NSF/ANSI 372 Low Lead Content
- ADA ANSI/ICC A117.1

Job Name _____

Item Number _____

Section/Tag _____

Model Specified _____

Architect _____

Engineer _____

Contractor _____

Submitted as Shown Submitted with Variations

Date _____



ECAST

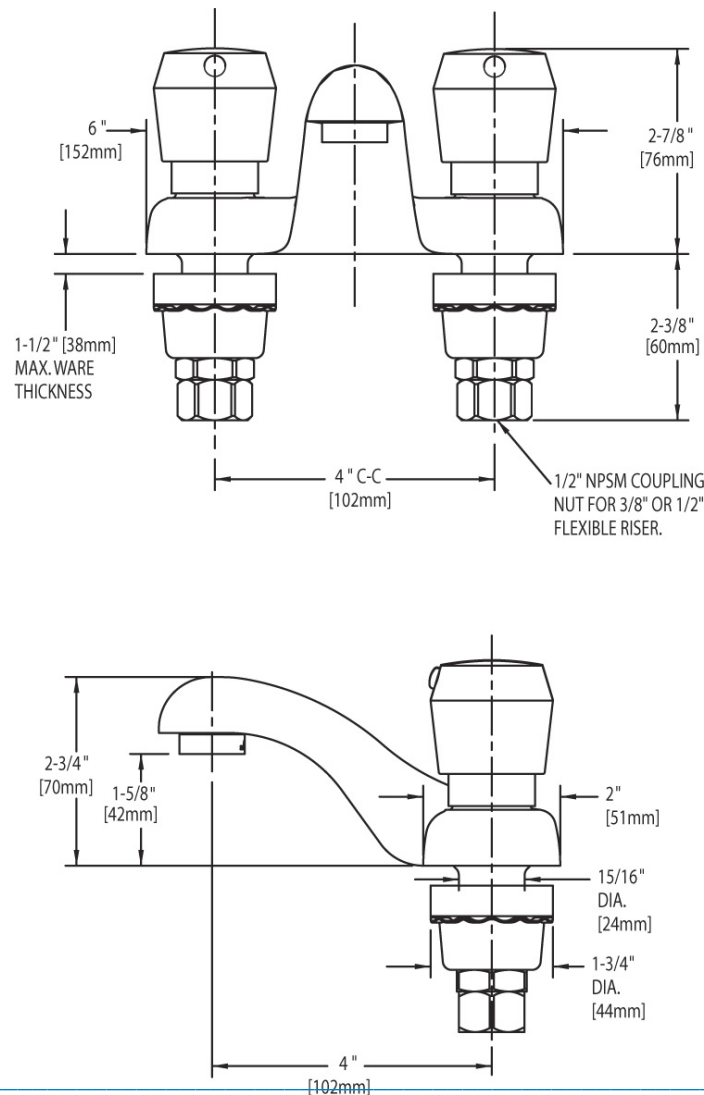
ECAST products are intended for installation where state laws and local codes mandate lead content levels or in any location where lead content is a concern.



TMS EQUIPARTS
NORTHEAST
TOLL FREE: 800-442-6622
PITTSBURGH: 412-781-9100
www.equiparts.net
That Hard to Find Part is Right Here!

Architect/Engineer Specification

Chicago Faucets No. 802-V665ABCP, Deck Mounted 4" Fixed Centers Hot and Cold Water Metering Sink Faucet, Chrome Plated. 4" Center to Center Integral Cast Brass Spout. 2.2 GPM (8.3 L/min) Pressure Compensating Softflo Vandal Proof Aerator. 1-3/4" Metal Vandal Proof MVP Metering Push handle(s) with Blue and Red Buttons. MVP 1/2" self-closing, auto-timed metering cartridge, adjustable run time from 2 to 15 seconds, opens with push, 0.20 max gallon/cycle. 1/2" NPSM Supply Inlets and Coupling Nut for 3/8" or 1/2" Flexible Riser. ECAST® construction with less than 0.25% lead content by weighted average. Secondary Control Valve: 4" Center to Center Integral Cast Brass Spout. This product meets ADA ANSI/ICC A117.1 requirements and is tested and certified to industry standards: ASME A112.18.1/CSA B125.1, Certified to NSF/ANSI 61, Section 9 by CSA, California Health and Safety Code 116875 (AB1953-2006), Vermont Bill S.152, and NSF/ANSI 372 Low Lead Content.



Operation and Maintenance

Installation should be in accordance with local plumbing codes. Flush all pipes thoroughly before installation. After installation, remove spout outlet or flow control and flush faucet thoroughly to clear any debris. Care should be taken when cleaning the product. Do not use abrasive cleaners, chemicals or solvents as they can result in surface damage. Use mild soap and warm water for cleaning and protecting the life of Chicago Faucet products. For specific operation and maintenance refer to the installation instructions and repair parts documents that are located at www.chicagofaucets.com.

Chicago Faucets, member of the Geberit Group, is the leading brand of commercial faucets and fittings in the United States, offering a complete range of products for schools, laboratories, hospitals, office buildings, food service, airports and sport facilities. Call 1.800.TECTRUE or 1.847.803.5000 Option 1 for installation or other technical assistance.

