



# Z1320-CXL

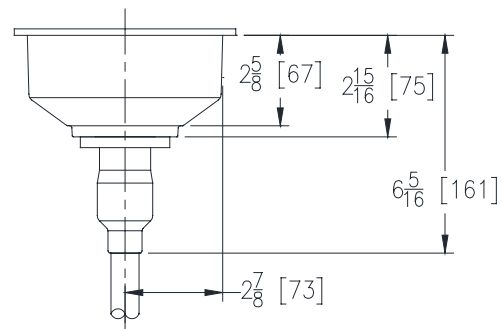
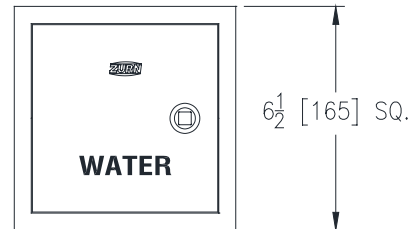
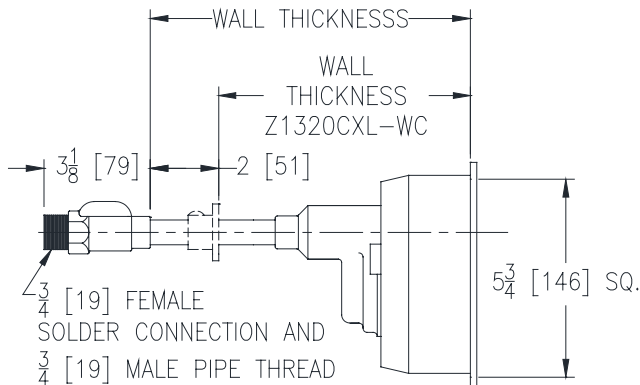
## ECOLOTRON WALL HYDRANT

Encased, Non-Freeze, Anti-Siphon, Automatic Draining

SPECIFICATION SHEET

TAG \_\_\_\_\_

Design and Dimensional Data (inches and [ mm ]) are Subject to Manufacturing Tolerances and Change Without Notice



Wall Thickness in [mm]	Approx. Wt. lbs [kg]
6, 8 [152, 203]	5 [2]
10, 12, 14, 16 [254, 305, 356, 406]	6 [3]
18, 20, 22, 24 [457, 508, 559, 610]	8 [4]

### ENGINEERING SPECIFICATION: ZURN Z1320-CXL

Encased, Ecolotrol™, lead-free, non-freeze automatic draining wall hydrant for flush installation. Hydrant features integral backflow preventer with anti-siphon technology, copper casing, bronze and stainless steel interior components, non-turning operating rod with free-floating compression closure valve, combination 3/4" [19] female solder and 3/4" [19] male pipe thread inlet connection, and 3/4" [19] male hose connection. Hydrant furnished with chrome-plated rough cast bronze housing with locking hinged cover stamped "WATER" and includes operating key.

Zurn "XL" Lead-Free compliant products are a line of durable plumbing products designed and manufactured to comply with state laws and local codes that mandate maximum allowable lead content levels. Zurn "XL" products are manufactured in accordance to the Federal SWDA section 1417.

### OPTIONS (Check/specify appropriate options)

#### SUFFIXES

- \_\_\_-CL Cylinder Lock
- \_\_\_-PB Polished Bronze Face
- \_\_\_-RA2 12 [305] Wall Rod Assembly with Repair Kit (-RK)
- \_\_\_-RA4 24 [610] Wall Rod Assembly with Repair Kit (-RK)
- \_\_\_-RK Hydrant Parts Repair Kit (HYD-RK-Z1321-CXL)
- \_\_\_-SS Stainless Steel Face
- \_\_\_-WC Wall Clamp
- \_\_\_-34EL 3/4 [19] 90° Solder Inlet Elbow
- \_\_\_-34FIP 3/4 [19] IP Straight Female Inlet Adapter



\* Regularly furnished unless otherwise specified

**⚠ WARNING:** Cancer and Reproductive Harm - [www.P65Warnings.ca.gov](http://www.P65Warnings.ca.gov)

**⚠ ADVERTENCIA:** Cáncer y daño reproductivo - [www.P65Warnings.ca.gov](http://www.P65Warnings.ca.gov)

**⚠ AVERTISSEMENT:** Cancer et effets néfastes sur la reproduction - [www.P65Warnings.ca.gov](http://www.P65Warnings.ca.gov)

Zurn Industries, LLC | Specification Drainage Operation  
1801 Pittsburgh Avenue, Erie, PA 16502, Ph. 855.663.9876

In Canada | Zurn Industries Limited  
7900 Goreway Drive, Unit 10, Brampton, Ontario L6T 5W6, Ph. 877.892.5216

[www.zurn.com](http://www.zurn.com)

Rev. B  
Date: 10/11/23  
C.N. No. 145587  
Prod. | Dwg. No. Z1320-CXL