

PRODUCT SPECIFICATIONS

Elkay Pro Filtration® Bottle Filling Station & Single ADA Cooler Refrigerated Ultra-Capacity Lead Reduction. Chilling Capacity of 8.0 GPH (gallons per hour) of 50° F drinking water, based on 80° F inlet water and 90° F ambient, per ASHRAE 18 testing. Features shall include Antimicrobial*, Automatic Filter Status Reset, Energy Savings, Filtered, Green Ticker™, Hands Free, Laminar Flow, Real Drain, Visual Filter Monitor, Alcove Light, Automatic Filter Flush, Stainless Steel Alcove, Pro Filtration System, Top Mount Quick Filter Change. Furnished with Flexi-Guard® Safety Bubbler. Electronic Bottle Filler Sensor with Electronic Front and Side Bubbler Pushbar activation. Product shall be Wall Mount (On Wall), for Indoor applications, serving 1 station(s). Unit shall be certified to UL 399 and CAN/CSA C22.2 No. 120.



Special Features:	Antimicrobial, Automatic Filter Status Reset, Energy Savings, Filtered, Green Ticker™, Hands Free, Laminar Flow, Real Drain, Visual Filter Monitor, Alcove Light, Automatic Filter Flush, Stainless Steel Alcove, Pro Filtration System, Top Mount Quick Filter Change
Finish:	Black Stainless (BK)
Power:	115V/60Hz
Bubbler Style:	Flexi-Guard® Safety Bubbler
Activation by:	Electronic Bottle Filler Sensor with Electronic Front and Side Bubbler Pushbar
Mounting Type:	Wall Mount (On Wall)
Chilling Capacity*:	8.0 GPH
Dimensions (L x W x H):	18-3/8" x 19" x 46-7/8"
Approx. Shipping Weight:	79 lbs.
Installation Location:	Indoor
No. of Stations Served:	1
*Based on 80° F inlet water & 90° F ambient air temp for 50° F chilled drinking water.	

Included with Product: Bottle Filler, Water Cooler, Ultra Capacity Filter

Ships in one box.

A Century of Tradition and Quality. For more than 100 years, Elkay has been making innovative products and providing exceptional customer care. We take pride in offering plumbing products that make life easier, inspire change and leave the world a better place.



PRODUCT COMPLIANCE

- ADA & ICC A117.1
- ASME A112.19.3/CSA B45.4
- CAN/CSA C22.2 No. 120
- FCC & ISED
- NSF/ANSI 42, 53, 61 (Q≤1), 372 (lead free), & 401
- UL 399



Complies with ADA & ICC A117.1 accessibility requirements when installed according to the requirements outlined in these standards. Installation may require additional components and/or construction features to be fully compliant. Consult the local Authority Having Jurisdiction if necessary.

[Installation Instructions \(PDF\) - 2000002266](#)

5 Year Limited Warranty on the refrigeration system of the unit. Electrical components and water system are warranted for 12 months from date of installation. **Warranty pertains to drinking water applications only. Non-drinking water applications are not covered under warranty.**

[Warranty \(PDF\)](#)

Special Note: Ships in one box

- Visual Filter Monitor: LED filter status indicator alerts to needed filter changes.
- Intuitive series of blue LED filter status lights displays filter capacity to help anticipate replacements and provide peace of mind to users.
- Save time and resources with connected technology that helps anticipate maintenance needs remotely; flush units and monitor filter status and water usage from anywhere.
- Replace filters easily and more efficiently at the top of the unit.
- System recognizes new filter, automatically flushes the system and

PART: _____ QTY: _____

PROJECT: _____

CONTACT: _____

DATE: _____

NOTES: _____

APPROVAL: _____



In keeping with our policy of continuing product improvement, Elkay reserves the right to change product specifications without notice. Please visit elkay.com for the most current version of Elkay product specification sheets. This specification describes an Elkay product with design, quality, and functional benefits to the user. When making a comparison of other producers' offerings, be certain these features are not overlooked.

- resets filter status lights, shortening filter replacement time.
- Low-energy LED light encourages use, assists with filling dark bottles and illuminates in dark hallways
- Optional Total PFAS Filter.
- Optional Stage 1 Sediment Filter.
- Optional UV Protection.
- Uses standard Elkay rough in.
- Ultra-Capacity Filter Included: Elkay Pro Filtration® 10,000 gallon Ultra-Capacity Lead filter is certified by IAPMO R&T to NSF/ANSI 42, 53 and 401 to reduce lead, microplastics, cysts, asbestos, turbidity, particulate class 1, chlorine, and taste and odor, and to NSF/ANSI/CAN 372 for lead free compliance.
- Energy-savings mode reduces energy consumption.
- Fill rate is 1.1 GPM: Laminar flow provides clean fill with minimal splash. Real drain system eliminates standing water in basin.

*Antimicrobial claims are in reference to components manufactured antimicrobial agents, helping to provide clean, stain- and odor-free surfaces.

COOLING SYSTEM



- Compressor: Hermetically-sealed, reciprocating type, single phase. Sealed-in lifetime lubrication.
- Condenser: Fan cooled, copper tube with aluminum fins. Fan motor is permanently lubricated.
- Cooling Unit: Combination tube-tank type. Continuous copper tubing with is fully insulated with EPS foam that meets UL requirements for self-extinguishing material.
- Refrigerant Control: Refrigerant R-134a is controlled by accurately calibrated capillary tube.
- Temperature Control: Easily accessible enclosed adjustable thermostat is factory preset. Requires no adjustment other than for altitude requirements.



Filtration Options	Suffix	Description	Filters Included
Total PFAS + Lead	-FLP4	Elkay Pro Filtration® 4,000 gallon Total PFAS and Lead filter is certified by IAPMO R&T to NSF/ANSI 42, 53 and 401 to reduce Total PFAS, lead, microplastics, cysts, asbestos, turbidity, particulate class 1, chlorine, and taste and odor, and to NSF/ANSI/CAN 372 for lead free compliance.	FLP4
Sediment Prefilter	-FSR5	Elkay Pro Filtration® Sediment Pre-Filter is certified by IAPMO R&T to NSF/ANSI 42 for material safety and structural integrity only, and to NSF/ANSI/CAN 372 for lead free compliance.	FL10 + FSR5
UV Water Treatment	-UV	UVC-LED light at bottle filler spout eliminates harmful pathogens and bacteria.	FL10

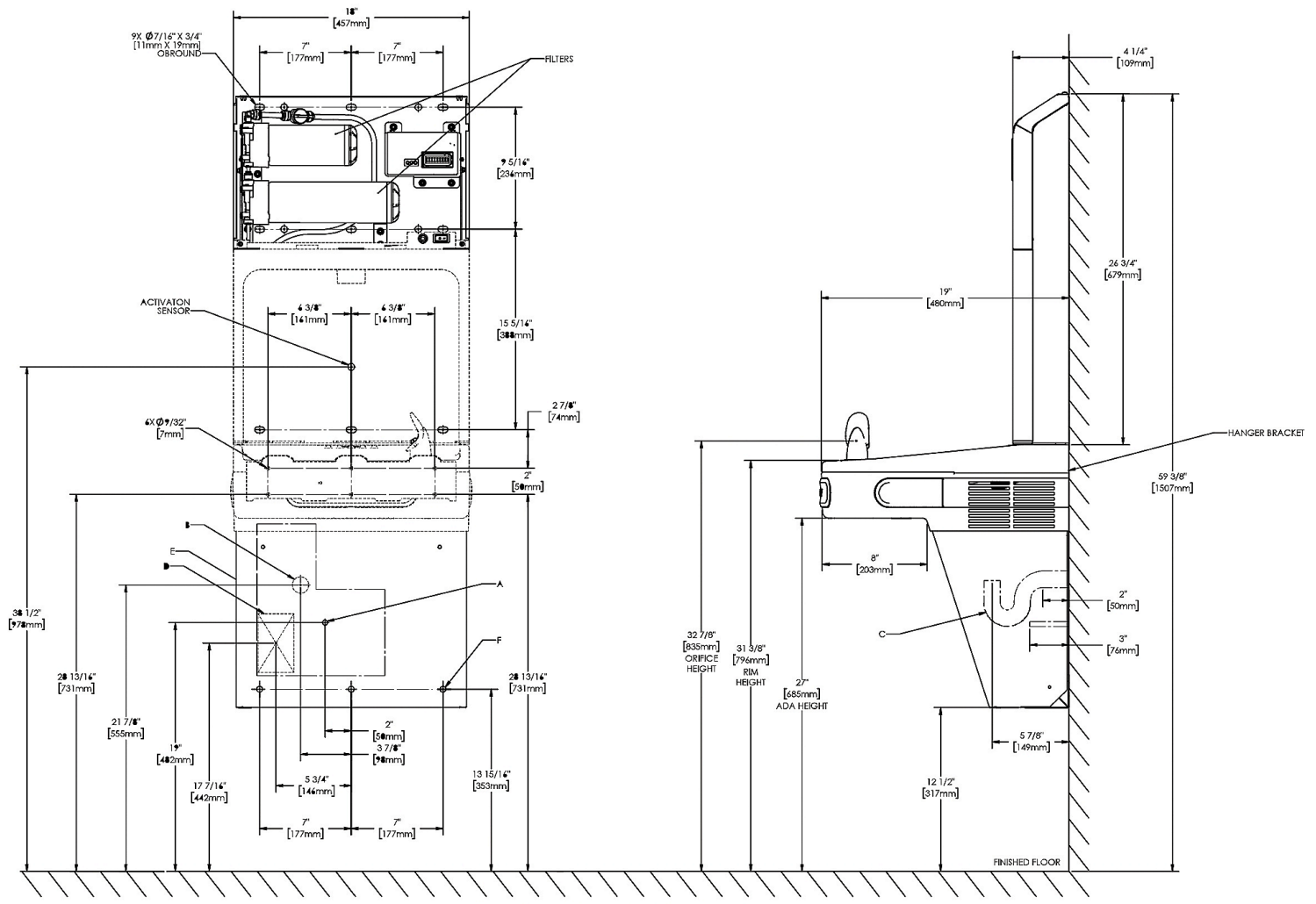
Optional Accessories		
FL10	Elkay Pro Filtration Ultra-Capacity Lead + Microplastics 10000 gal. Filter Spec Sheet (PDF)	
FL6	Elkay Pro Filtration High-Capacity Lead + Microplastics 6000 gal. Filter Spec Sheet (PDF)	

In keeping with our policy of continuing product improvement, Elkay reserves the right to change product specifications without notice. Please visit elkay.com for the most current version of Elkay product specification sheets. This specification describes an Elkay product with design, quality, and functional benefits to the user. When making a comparison of other producers' offerings, be certain these features are not overlooked.

MLP100	In-wall Carrier for Single-station On-wall Bottle Fillers Coolers & Fountains Spec Sheet (PDF)	
LKAPREZM	Cane Apron for EZ Midnight Black Spec Sheet (PDF)	



In keeping with our policy of continuing product improvement, Elkay reserves the right to change product specifications without notice. Please visit elkay.com for the most current version of Elkay product specification sheets. This specification describes an Elkay product with design, quality, and functional benefits to the user. When making a comparison of other producers' offerings, be certain these features are not overlooked.



LEGEND:
 A = Recommended Water Supply location. Shut-off Valve (not furnished) to accept 3/8" O.D. unplated copper tube. Up to 3" (76mm) maximum out from wall.
 B = Recommended Waste Outlet location. To accommodate 1-1/4" nominal drain. Drain stub 2" (51mm) out from wall.
 C = 1-1/4" Trap (not furnished).
 D = Electrical Supply (3) Wire Recessed Duplex Outlet.
 E = Issue proper ventilation by maintaining 2" (52mm) minimum clearance from cabinet louvers to wall.
 F = 7/16" (11mm) Bolt Holes for fastening to wall.
 Note: New Installations Must Use Ground Fault Circuit Interrupter (GFCI).

EQUIPARTS
 Repair Parts Specialists
 TOLL FREE: 800-442-6622
 PITTSBURGH: 412-781-9100
 www.equiparts.com
 That Hard to Find Part is Right Here!

In keeping with our policy of continuing product improvement, Elkay reserves the right to change product specifications without notice. Please visit elkay.com for the most current version of Elkay product specification sheets. This specification describes an Elkay product with design, quality, and functional benefits to the user. When making a comparison of other producers' offerings, be certain these features are not overlooked.