

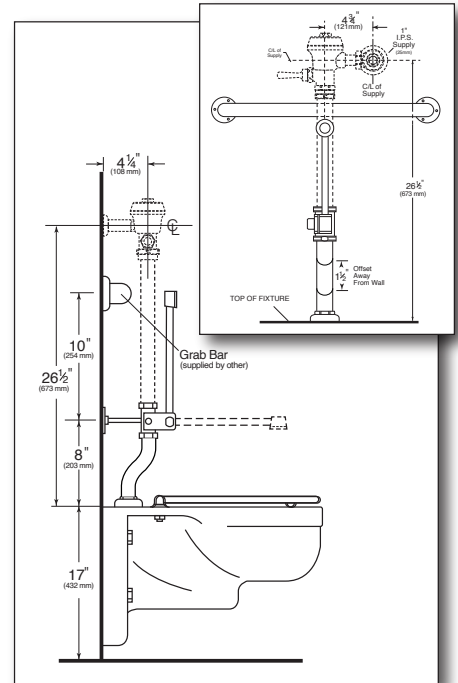
## Bedpan Diverter w/ Offset

### Description

Delany Bedpan Diverter is for pre-rinsing of a bedpan before sanitizing. The assembly is for installation with existing flush valve. Bedpan Diverter valve is for a 1-1/2" top spud water closets 1-1/2" offset for grab bar .

### Specification

- Teflon Shear Plate Washer.
- Solid Brass Bedpan Diverter Spray Arm.
- Wall Support.
- 1-1/2" x 9" Lower Flush Connection w/ 1-1/2" Offset for grab bar.
- Spud nut and spud flange for 1-1/2" top spud.
- All rubber parts molded of chloramine resistant rubber.



ASSE 1037

