

TOILET SUPPORTS

#81550

"BIG JOHN" TOILET SUPPORT

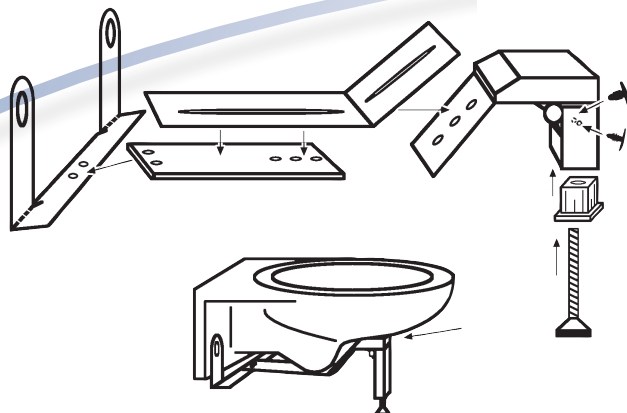


**Height Adjustment
From 7.5" To 14"**

- Increases The Weight Capacity From 350 Lbs to Over 1000 Lbs.
- Simple to install on existing toilets.
- Specially engineered leg base can be raised up to 4" for cleaning access
- Leg made of high impact ABS.
- Perfect for hospitals, nursing homes, government facilities, stadiums, airports, theatres, office buildings, and virtually every wall mounted toilet.

#56477

FITS-MOST WALL MOUNTED TOILET SUPPORT



- Supports users up to 1000 lbs
- Compatible with most wall mounted toilet models
- Installs in less than 15 minutes
- Allows sanitation of floor underneath for infection control