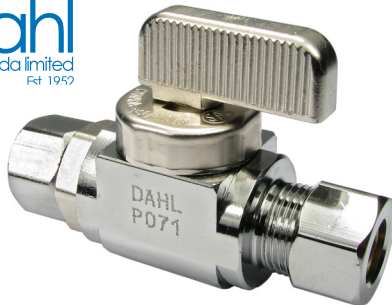


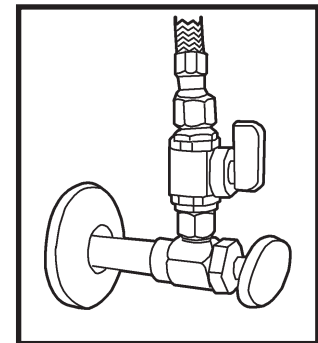
ADD-A-STOP REPAIR VALVE



#51407 3/8"

#56885 1/2"

*This Heavy Duty
Valve Piggybacks
Existing 3/8"
Compression Stops!*



*No Need to Replace
Existing Stop!*

The **ADD-A-STOP REPAIR VALVE** is manufactured to stringent standards. Each design is put through a rigorous 250,000 cycle test before it is manufactured. Extremely close tolerances are maintained using computer controlled equipment to ensure each valve meets strict specifications. Plumbers who rely on **ADD-A-STOP REPAIR VALVES** don't worry about customer callbacks. Each valve is tested before it leaves the factory. Providing quality products is an Equiparts tradition.

STOPS WATER FAST!

The easy to operate 1/4 turn shut off valve prevents leaking. The positive-force-turn stops the water flow instantly and completely.

BALL STYLE WON'T FREEZE UP !

The ball style valve helps keep the ADD-A-STOP turning operation clean. Conventional screw style valves tend to collect deposits, corrode, and eventually freeze up or seize the mechanism.

NO PLASTIC WASHERS OR PACKING!

Uses heat resistant, pliable "O" rings and seats that resist cracks and leaks.

LEAKING IS NOT A PROBLEM!

The heavy duty brass construction insures durability. Plus, it won't break down when exposed to chlorine, chloramine and other water disinfecting chemicals.