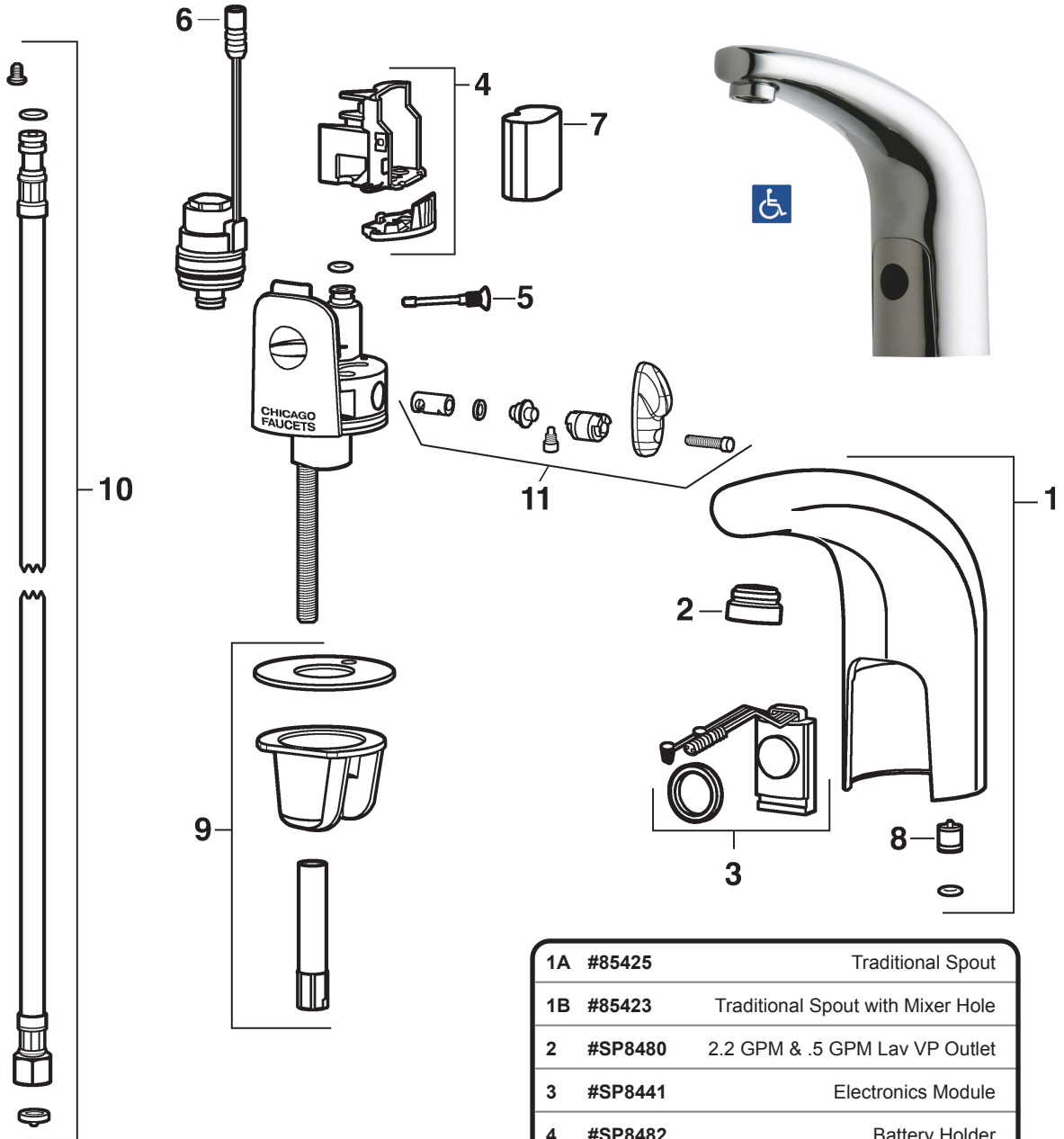


# CHICAGO ELECTRONIC FAUCET

**CHICAGO FAUCETS** 

**#80911 (116.201.AB.1)**



1A	#85425	Traditional Spout
1B	#85423	Traditional Spout with Mixer Hole
2	#SP8480	2.2 GPM & .5 GPM Lav VP Outlet
3	#SP8441	Electronics Module
4	#SP8482	Battery Holder
5	#SP8483	Shut-off Screw Assembly
6	#SP8484	Solenoid Valve
7	#32906	6V Lithium Battery
8	#52312	Check Valve
9	#SP8487	Deck Mounting Hardware
10	#SP8488	SS Braided Hose
11	#SP8485	Mixer