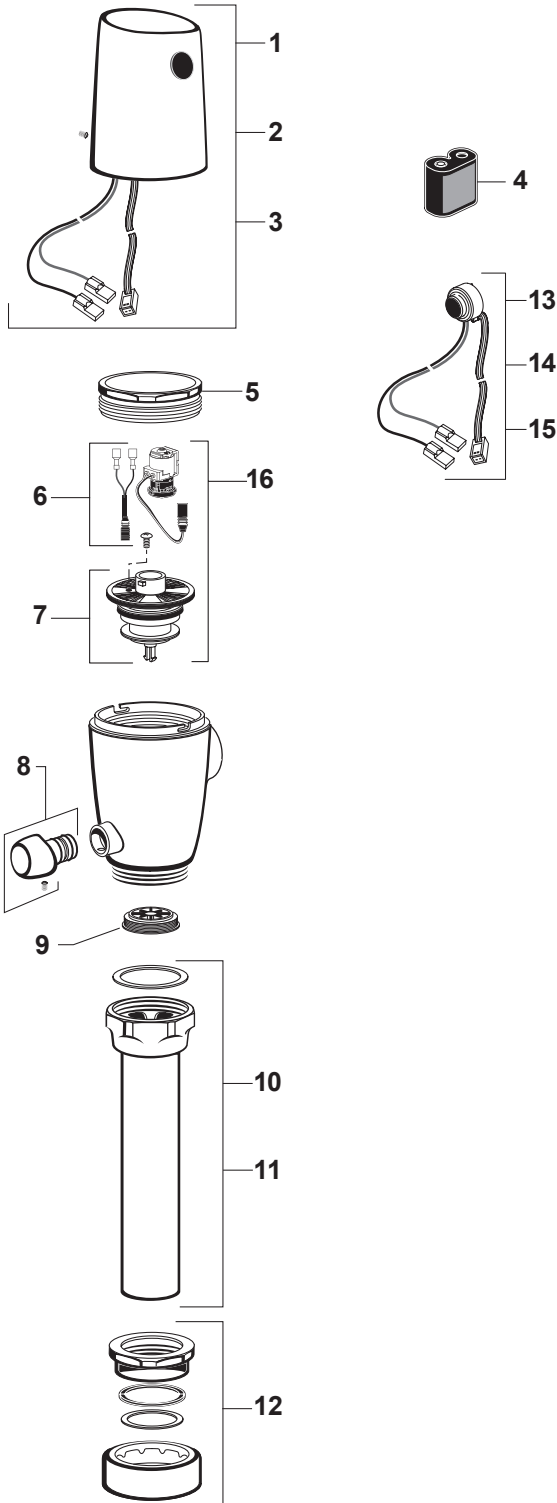


American Standard

SELECTRONIC™ PROXIMITY CLOSET FLUSH VALVE 1.1, 1.6 & 1.28 GPF PARTS BREAKDOWN



1	#84932	Cover Assembly for Flush Valve with 1.1 GPF (Battery Included)
2	#84933	Cover Assembly for Flush Valve with 1.6 GPF (Battery Included)
3	#84934	Cover Assembly for Flush Valve with 1.28 GPF (Battery Included)
4	#84917	Battery 6VCR-P2
5	#84918	Bonnet Nut
6	#84920	Solenoid Assembly
7	#84935	Piston Assembly
8	#84922	Manual Override Button
9	#84923 #67317	Flow Regulator (Before July 2015) Flow Regulator (After July 2015)
10	#89718	Vacuum Breaker Assembly 1" x 11-1/2" (220mm) Rough-In
11	#84937	Vacuum Breaker Assembly 1-1/2" x 27" (610mm) Rough-In
12	#84938	Escutcheon Kit
13	#84939	Sensor Assembly w/Mtg. Kit for Flush Valve with 1.6 GPF
14	#84940	Sensor Assembly w/Mtg. Kit for Flush Valve with 1.28 GPF
15	#84941	Sensor Assembly w/Mtg. Kit for Flush Valve with 1.1 GPF
16	#84942	Solenoid & Piston Subassembly